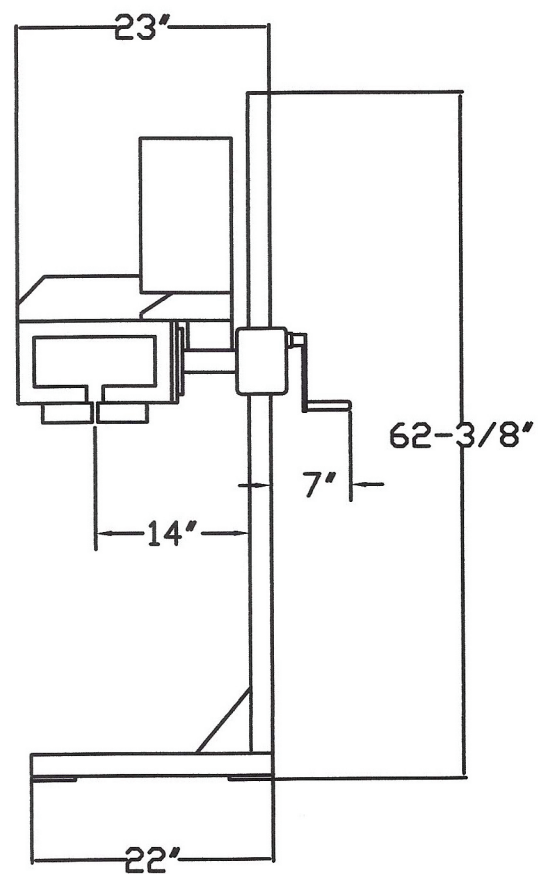
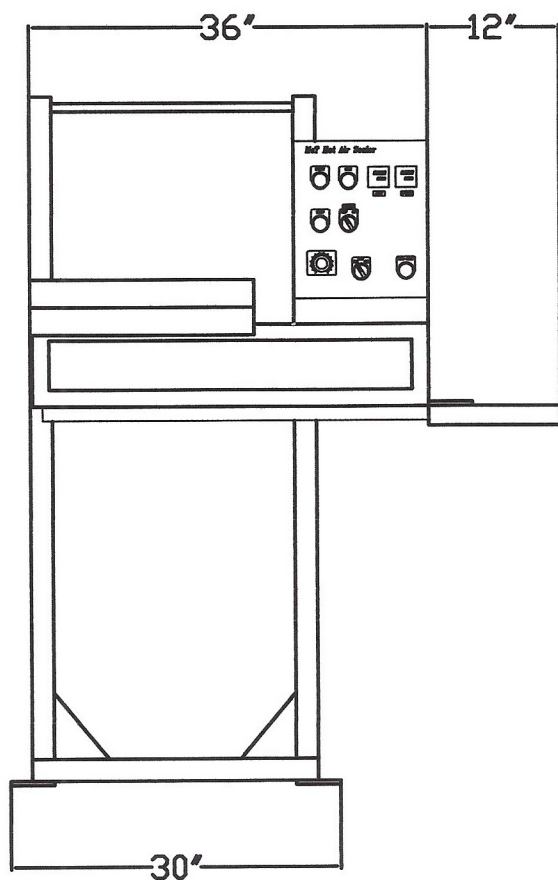
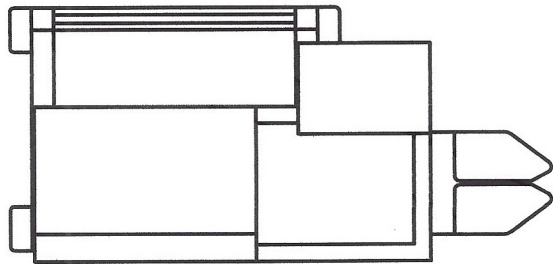


McT TM Hot Air Sealer

Model CML-100



SPECIFICATIONS

Air requirements	2 CFM @ 15 PSI min.
Voltage	240 volts, single phase
Amps	15

